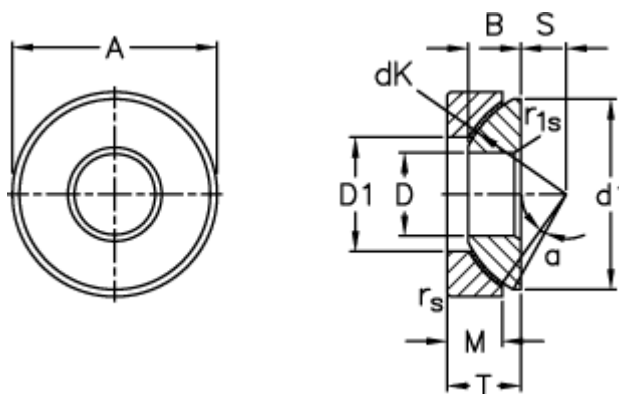


Article number: 03512012

Description: Fluro Rod end GE 12AW

Measures



A	= 35 0 -0,011	rs, r1s min	= 0.6
B	= 9.5	S	= 8
D	= 12 0 -0,008	Static axial load C0 (kN)	= 130
d1 max	= 32	T	= 13 +0,25 -0,40
D1 min	= 18	Tilt angle	= 5
dK	= 38	Weight	= 72
Dynamic axial load C (kN)	= 65		
M	= 9.3		